

# Gardner Denver

PNEUMATIC & ELECTRIC ZERO-LOSS DEMAND DRAINS

## XGDR Series Drains



# X Series: NeXt-Generation Gardner Denver Air Treatment

## XGDR-PNLD24

### PNEUMATIC-OPERATED CONDENSATE DRAIN

#### How It Works

Condensate enters the drain through one of the two inlet connections. As condensate is collected and the translucent reservoir fills, a stainless steel float mechanism rises. When the condensate reaches a designated level, the float mechanism actuates an isolated magnetic trigger assembly. The trigger assembly directs control air to the valve actuator, which in turn opens a full-port drain valve.

Condensate will then exit the unit. As the float drops, the trigger assembly closes the control air line and the valve actuator closes the ball valve. The drain is then returned to the collection mode.

A fully automatic, zero  
loss drain that requires  
no electricity

Translucent reservoir for  
visual assurance of operation

Ideal for  
Oil/Water Separators

#### Features

- Large 24 ounce capacity discharge
- Isolated trigger assembly
- Heavy duty industrial drain
- Horizontal low profile
- Translucent reservoir
- Non-clogging, full port drain valve
- Fully pneumatic
- Automatic design

#### Benefits

- Ideal for most compressor installations
- Reliable design - unaffected by contaminants
- One unit works for multiple compressed air systems: saves valuable air and money
- Fits in tight spaces: can be mounted under equipment
- Easy to see condensate level “quick check”
- Handles scale and rust without clogging
- No electricity required
- Operates on demand

## SPECIFICATIONS

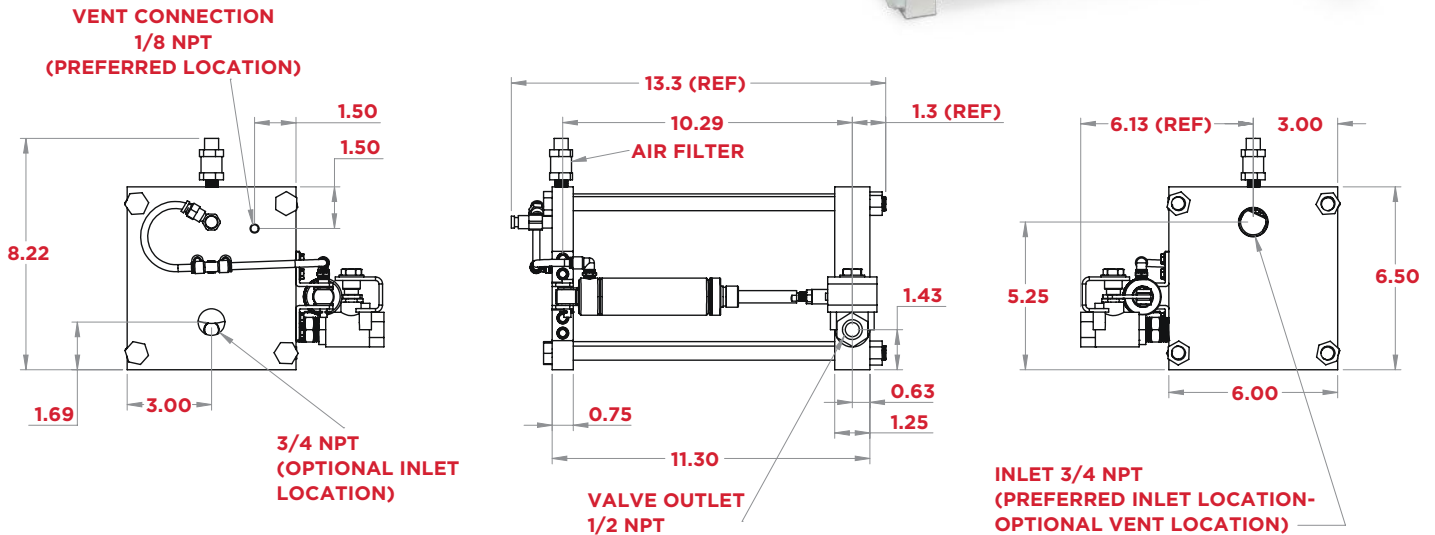
PART	XGDR-PNLD24
INLETS	(2) 3/4" NPT
OUTLET	1/2" NPT
POWER	Clean, Dry Compressed Air 80 to 130 PSI
PRESSURE	0 to 250 PSI
OPERATING TEMP	32° to 180° F
WEIGHT	17 lbs
DISCHARGE	24 ounces per cycle

## MATERIALS

PART	MATERIAL
RESERVOIR	Aluminum & Composite
VALVE	Bronze with Stainless Steel Ball & Stem
FLOAT	Stainless Steel
SEAT	Stainless Steel
SEAL	Viton



## DIMENSIONS



# X Series: NeXt-Generation Gardner Denver Air Treatment

XGDR-ENLD8, XGDR-ENLD21

ELECTRIC-OPERATED CONDENSATE DRAIN

## How It Works

Condensate enters the drain through one of the two inlet connections. As condensate is collected and the translucent reservoir fills, a stainless steel level switch rises. When the condensate reaches a designated level, the level switch sends a signal to the straight flow posi valve, which in turn opens a full-port drain.

When installed, a light indicates power is being supplied to the drain. A second light indicates when the valve has been actuated by the float switch. An override switch is provided for manual operation of the drain.



## Features

- Zero air loss
- Non-clogging, straight through flow, posi-valve, guillotine-style valve
- Vertical, compact design, translucent reservoir
- Indicator lights
- Multiple sizes

## Benefits

- Energy efficient
- Passes rust and scale that would foul other solenoid valves, no strainers to clean
- Can be installed in tight spaces
- Easy to see condensate level “quick check”
- Easy to see the status of the drain
- Sized for your needs



## XGDR-ENLD8, XGDR-ENLD21

### ELECTRIC-OPERATED CONDENSATE DRAIN

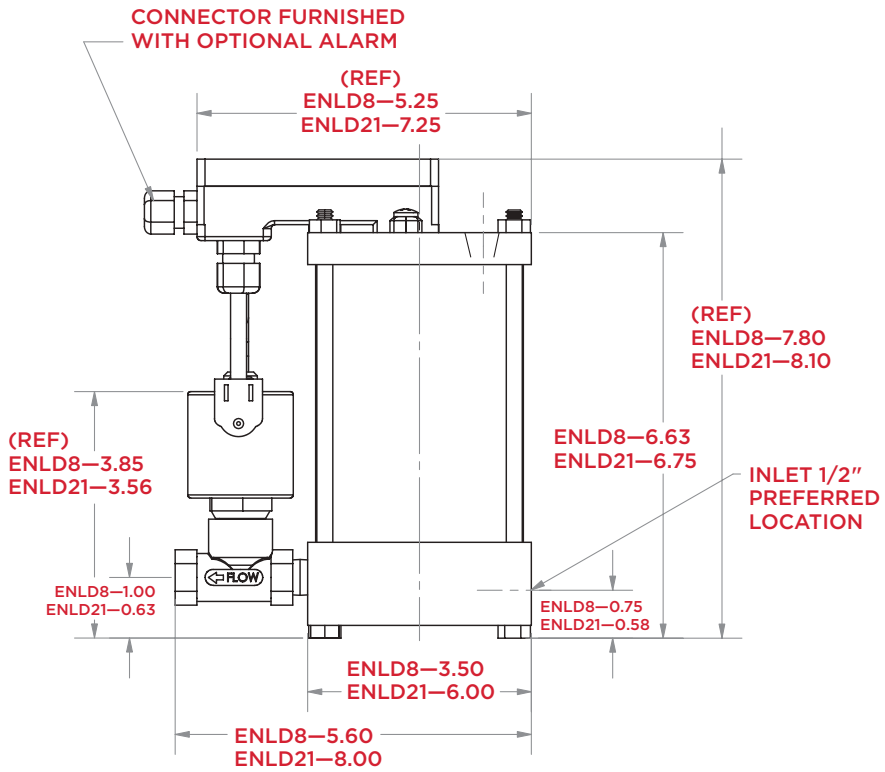
#### SPECIFICATIONS

PART	XGDR-ENLD8	XGDR-ENLD21
INLETS	(2) 1/2" NPT	3/4" & 1/2" NPT
OUTLET	1/4" NPT	1/4" NPT
COMPRESSOR CAPACITY	450 CFM	1125 CFM
DRYER CAPACITY	900 CFM	2250 CFM
FILTER CAPACITY	2700 CFM	6750 CFM
PRESSURE	0 to 200 PSI	0 to 200 PSI
OPERATING TEMP	35° to 180° F	35° to 180° F
WEIGHT	5 lbs.	10 lbs.
DISCHARGE	8 ounces per cycle	21 ounces per cycle

#### MATERIALS

PART	MATERIAL
RESERVOIR	Aluminum & Composite
CONTROL STEM	Teflon Coated
FLOAT	Stainless Steel
SEAT	Stainless Steel
SEAL	Viton

# DIMENSIONS



The leader in every market we serve  
by continuously improving all business processes  
with a focus on innovation and velocity

**Gardner**  

---

**Denver**<sup>®</sup>

**Gardner Denver, Inc.**

1800 Gardner Expressway  
Quincy, IL 62305  
866-440-6241  
[www.gardnerdenver.com](http://www.gardnerdenver.com)



©2021 Gardner Denver, Inc. Printed in U.S.A.  
GA-XGDR-DRAINS 1st Ed. 10/21

